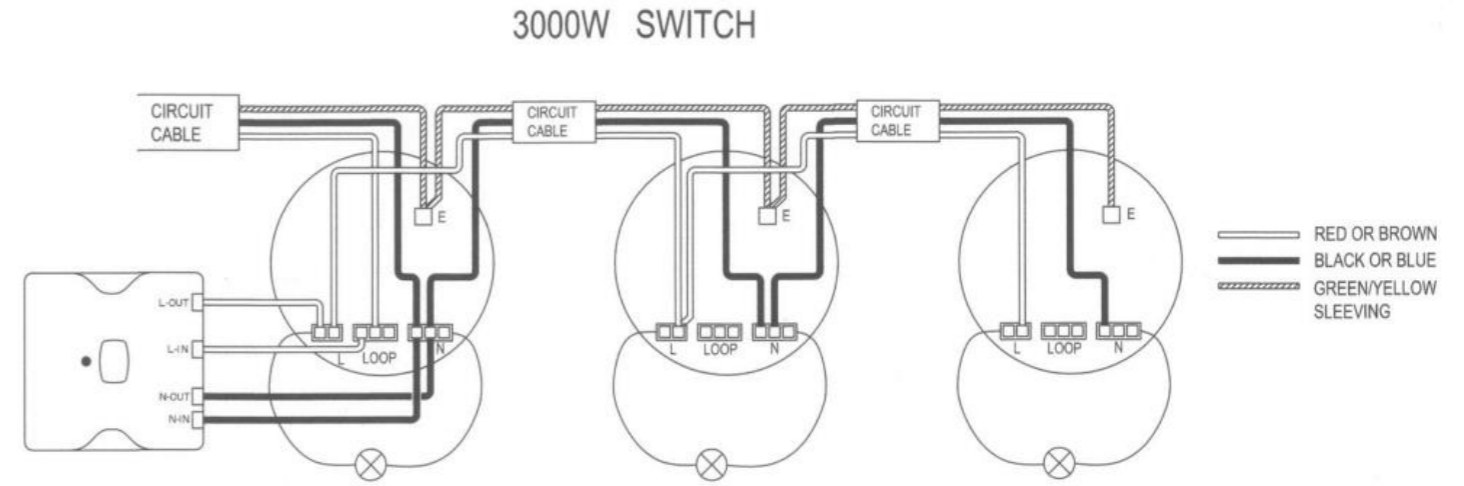




The MiHome Relay is part of the MiHome home automation range. The Adapter Plus links to the MiHome Gateway which provides the communications between your MiHome device and the internet.

This is a radio controlled switch for the switching of mains power to lighting and appliances up to 3kW. Only the Live feed is switched to the load. Switching is initiated either by radio control signal or manually by pressing the button on the housing.

The In-Line Relay is compatible with Energenie hand controllers (MIH0003) and the MiHome network. It is a receive-only device operating in the 433MHz ISM short-range band using OOK modulation.



RELAY

FAQs

How do I switch the MiHome Relay on/off?

It can be switched either manually or remotely. Either use the button on the unit or the MiHome app

What devices can the MiHome Relay switch?

The Relay will only switch devices or appliances up to 13A. It will switch the live wire only

How is the MiHome Relay secured?

There is one screw hole on either side of the MiHome Relay unit. These are used to fix onto the wall

Fitting and Wiring Instructions

- 1 - Before commencing work, isolate the mains power supply and remove the fuse in the fuse box or switch off the circuit breaker in consumer unit.
- 2 - Connect the wires as shown in the wiring diagram above. Ensure the cables are stripped to an appropriate length of between 6mm and 10mm. Ensure the cables are fully inserted into the terminals and that the terminals are properly tightened and no bare wire is visible.
- 3 - Screw the unit to a suitable flat vertical surface at least 400mm above the adjacent floor.
- 4 - These products must be installed in accordance with the latest Building and IET wiring regulations. If in any doubt, please contact a qualified electrician.

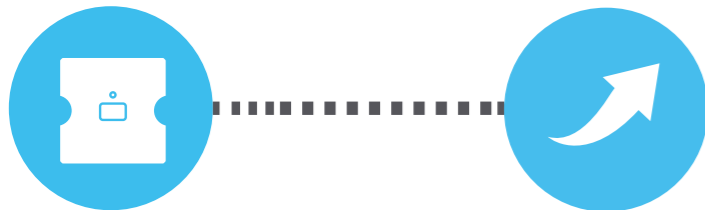
NOTE: The In-line Relay is not suitable for use with devices that contain electric motors such as power tools and fans.

TECHNICAL INFORMATION

- Model: MIH0014
- Radio Frequency: 433.92Mhz (ISIM band)
- Maximum load: 3000W for resistive load
- Rating: 220 - 250V~ 50Hz, 13A, 3000W max.
- Maximum Current: 13A

KEY BENEFITS

- Control household appliances that go up to 13A
- Is hard wired for devices with no accessible switching
- Use the MiHome app to control your devices
- Set the Relay to be triggered by other MiHome devices
- Save energy by switching devices that are difficult to turn off



The MiHome Relay is a Control only device, meaning that it can only receive information or commands from the MiHome Gateway.